

MULTIFUNCTION VALVES

GENERAL

The multifunction valve has the task of making dosing processes safer and more efficient.

FUNCTION

The multifunction valve prevents contact with the pumped medium, relieving the pressure line from maintenance work and by returning the pumped medium to the reservoir.

APPLICATIONS

Multifunction valve is designed for use with dosing pumps with a delivery rate of up to 50 l/h.

INSTALLATION

The multifunction valve is built directly onto the pressure valve of the dosing pump.

ONE VALVE - FOUR FUNCTIONS

PRESSURE KEEPING VALVE

Integrated pressure control function for high dosing accuracy.

RELIEF VALVE

Pressure ranges from 4 to 10 bar for optimum protection of the pump against excessive pressure.

PRESSURE RELIEF

More security, e.g. by reducing the system pressure before maintenance work.

VENTING

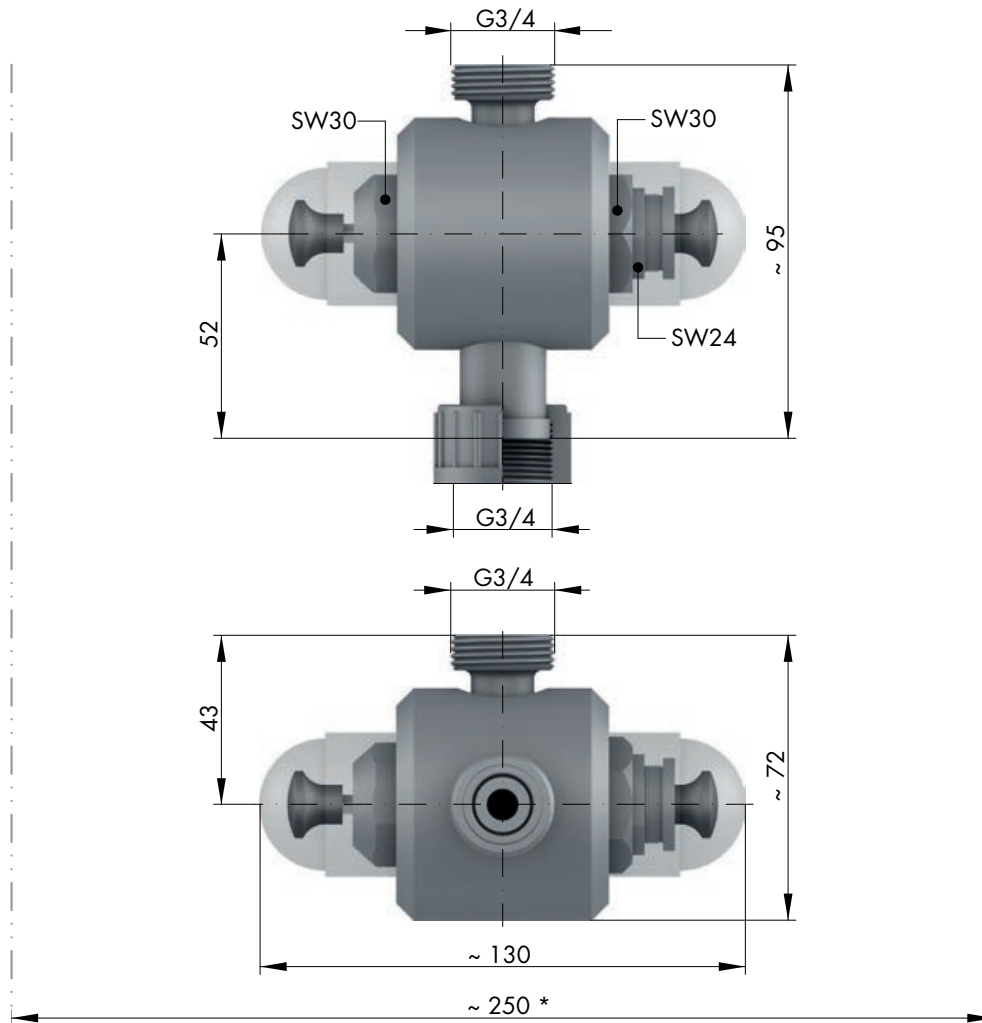
For trouble-free commissioning of dosing pumps with small delivery rates.

MATERIALS

		MFV050
Multifunction valve	PVC-U	■
	PP	■
Diaphragm	PTFE-faced	■
Seals	EPDM	■
	FPM	■
	FEP	■

TECHNICAL DATA / DIMENSIONS

		MFV050
Opening pressure	bar	4 - 10
Holding pressure	bar	1 - 1,5
Max. flow rate	l/h	50



* Space for operating the multifunction valve (e.g., pressure relief)