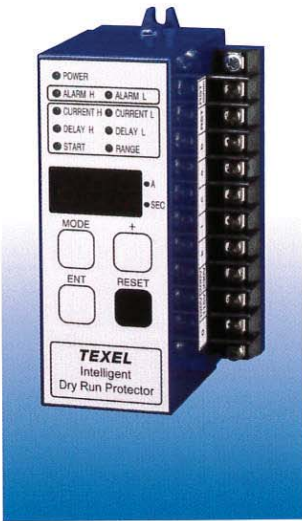


## Dry-Run Protector



The Texel Dry-Run Protector, which is controlled by the motor current, requires neither extra accessories for the piping and pump, nor anti-explosion measures, even under hazardous conditions.

By setting the current value during shut-off operation, not only shut-off operation but also dry operation and cavitation can be prevented.

This device is recommended to lengthen the service life of the Texel Magnetic Drive Pump.

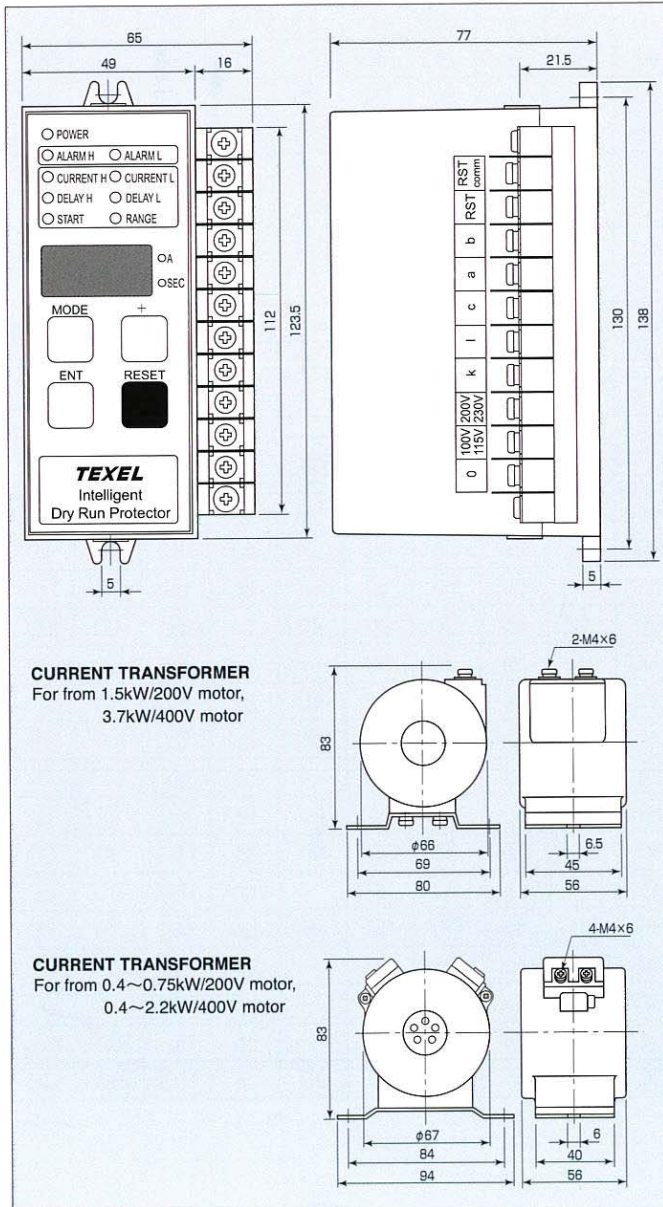
The functions for protecting the pump of DRP are as follows

- 1) Detection of Dry Run (No water in the pump)
- 2) Detection of Not pumping (Liquid has filled the pump)
- 3) Detection of Shut-off running  
(Discharge Valve is completely closed)
- 4) Detection of Cavitation
- 5) Detection of Excessive / Inadequate Flow Rate

### Standard Specifications

- Power Supply  
50/60Hz 100V/115V/200V/230V  
Single Phase
- Power Consumption 4W
- Alarm Contact Capacity  
1C AC250V 3A
- Ambient Conditions  
Temperature : 0~40 °C  
Moisture : RH40~85%

### Outside Dimensions of the DRP



### Wiring

- 1) The control power supply for the DRP is single phase, 100V~115V or 200V~230V. Connect the "b" contact of the output contact IC (the mark on the DRP terminal block is "b") to the excitation wire of the magnetic contact.
- 2) Among the wires between the magnetic contact and the motor, connect one wire to terminals "K" and "L" of the attached current transformer with a primary winding. Connect the secondary terminals, "k" and "l" of the current transformer to the DRP terminals "k" and "l".
- 3) Fig. 2 is a standard example of the circuit. The output contact "a" (the mark on the terminal block is "a") shall be used only when you set an alarm circuit to an external device or similar. (See Fig. 3, an example connection diagram.) In this case, make sure to mount a relay.

Fig. 2 Standard Circuit (Example)

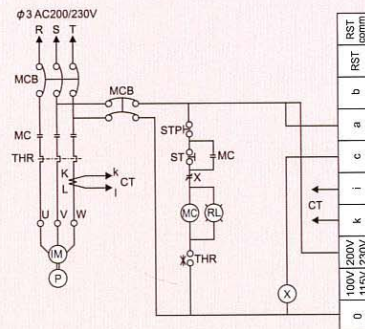
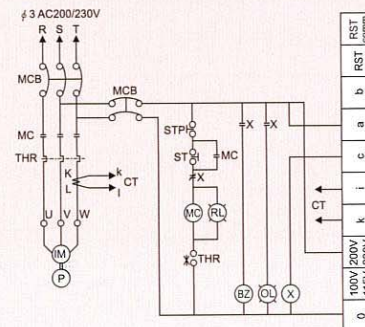


Fig. 3 Alarm Circuit (Example)



#### Abbreviated Codes

MCB	Main Circuit Breaker
MC	Magnetic Contact
THR	Thermal Relay
M	Motor
P	Pump
STP	Stop Button
ST	Start Button
X	Relay
BZ	Buzzer
CT	Current Transformer