

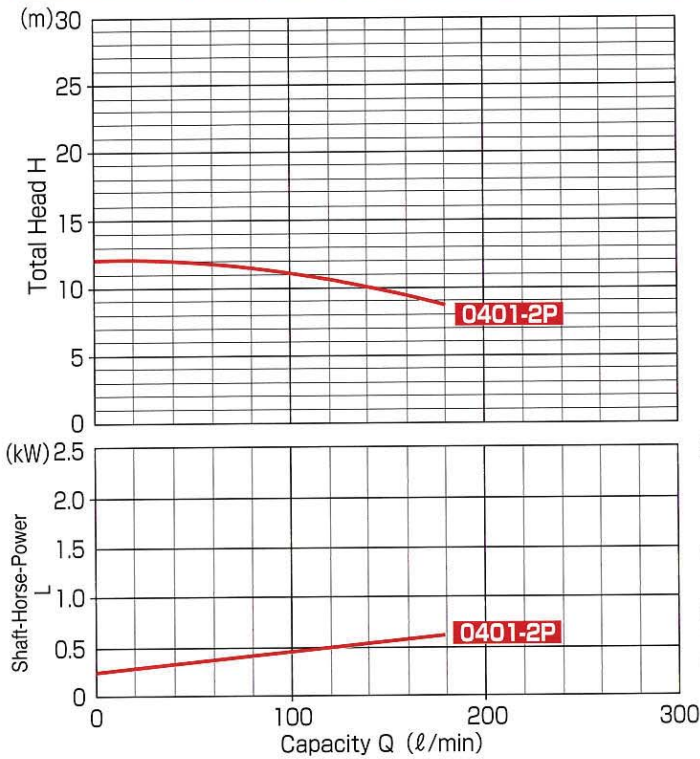
MES-040Series (Suction 40A×Discharge 40A)



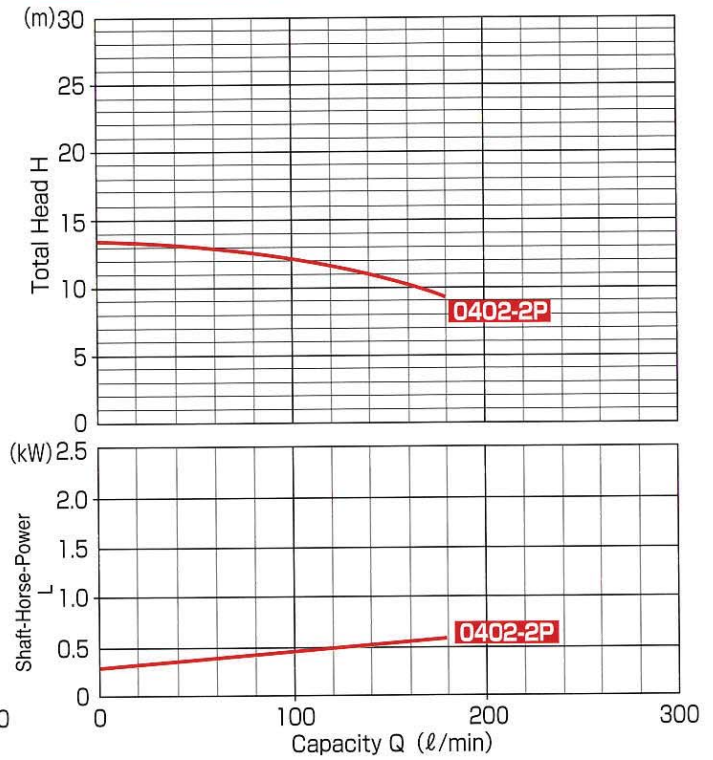
Pump Specifications

- Operating Temperature 0~80℃
- Rotation Direction Clockwise (view from the motor)
- Flange JIS 10K FF (Please consult us about ANSI/DIN standard.)
- Finish Paint Munsell 2.5B4/8(pump body)
- Motor IEC Flanged Induction motor
- Accessories Foundation bolts (M12×160L×50b)

50Hz Capacity Range & Technical Data



60Hz Capacity Range & Technical Data



Model	Capacity (ℓ/min)	Total Head (m)	NPSH Re (m)	Motor Output (kW)
MES-0401-2P	100	10	2.2	0.75

Model	Capacity (ℓ/min)	Total Head (m)	NPSH Re (m)	Motor Output (kW)
MES-0402-2P	100	12	2.6	0.75

Pump Identification

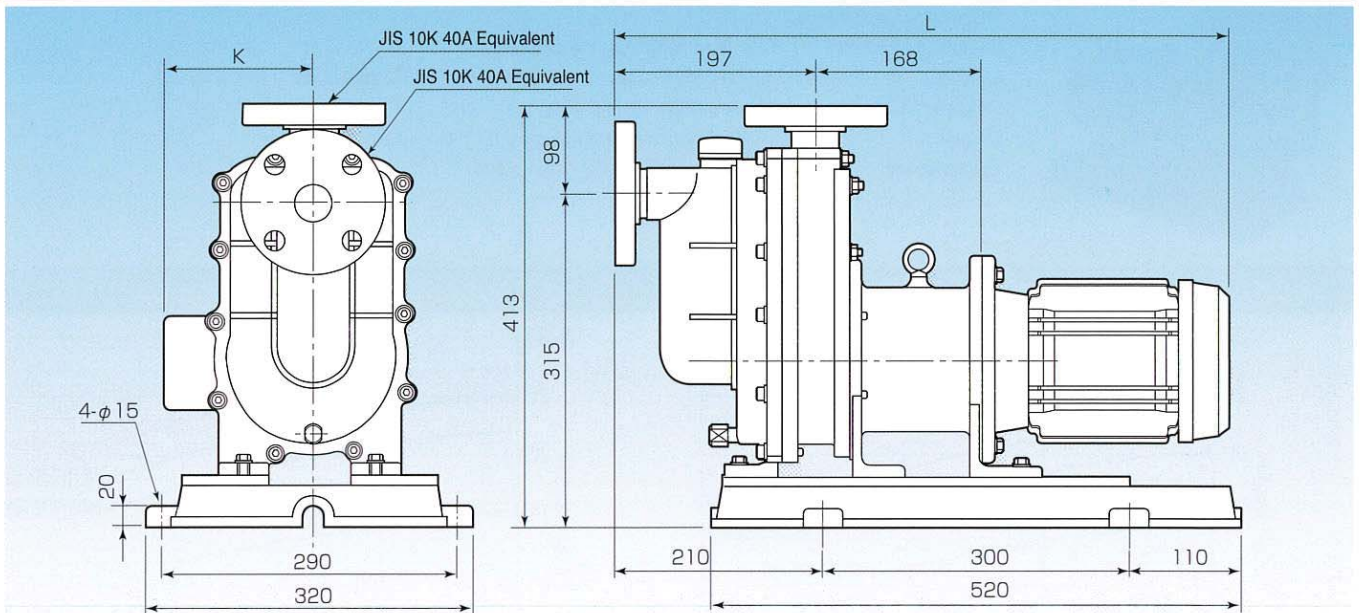
MES-040 1 F 01 A C F
 ① ② ③ ④ ⑤ ⑥ ⑦ ⑧

- ① Model
- ② Suction Size
- ③ Model Number Please refer to Performance Curve
- ④ O-ring material
F : FPM E : EPDM
- ⑤ Motor Output 01 : 0.75kW
- ⑥ Pump Body Material A : G-PP / PP
- ⑦ Motor Type
S:TEFC/outdoor Texel motor A:Safety-proof (eG3) Texel motor
T:IEC standard explosion-proof (d2G4) motor

⑧ Parts Material Combination

Type	Shaft	Front Thrust Ring	Rear Thrust Ring	Mouth Ring	Bearing
A		Al • Ceramic			C-PTFE
F(Standard)		Al • Ceramic			Carbon
Z	Other Combinations or Special Option				

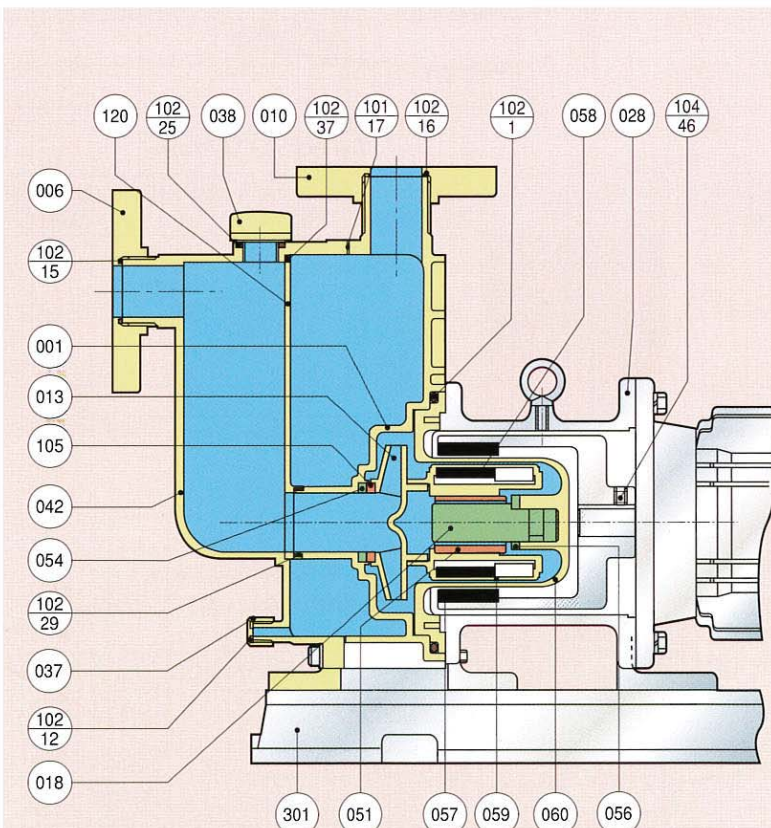
Dimensions



Motor Output	K	L	Weight (kg)
0.75kW	(120)	(610)	(34)

Note : ① In indicates (shows) a numeral of parenthesis is reference value.
 ② The weight of pump is not included motor weight.

Construction Diagram



No.	Part Name	Materials
001	Casing	G-PP
006	Suction Flange	G-PP
010	Discharge Flange	G-PP
013	Impeller	G-PP
018	Shaft	Alumina-ceramic
028	Bracket	FC200
037	Drain Plug	G-PP
038	Air Vent Plug	G-PP
042	Tank	G-PP
051	Bearing	Cabon / C-PTFE
054	Front Thrust Ring	Alumina-ceramic
056	Rear Thrust Ring	Alumina-ceramic
057	Outer Magnet	Ferrite
058	Inner Magnet	Ferrite
059	Magnet Lining	PP
060	Rear Casing	G-PP
101-17	Tank Bracket	FPM / EPDM
102-01	O-ring(casing)	FPM / EPDM
102-12	O-ring(Drain Plug)	FPM / EPDM
102-15	O-ring(Suction Flange)	FPM / EPDM
102-16	O-ring(Discharge Flange)	FPM / EPDM
102-25	O-ring(Air Vent Plug)	FPM / EPDM
102-29	O-ring(Suction Flange)	FPM / EPDM
102-37	O-ring(Partition Plate)	FPM / EPDM
105	Mouth Ring	Cabon / C-PTFE
104-46	Outer magnet set screw	SNCM
120	Partition Plate	G-PP
301	Base	FC200

M-040

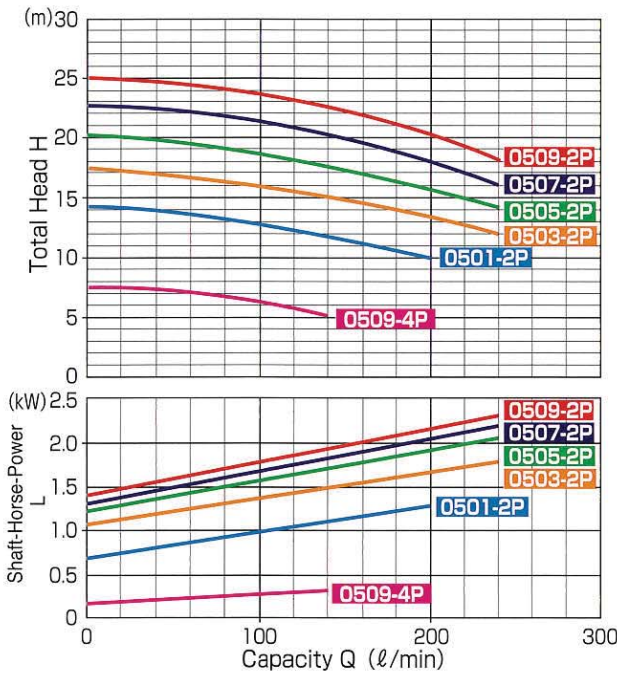
MES-050 Series (Suction 50A × Discharge 40A)



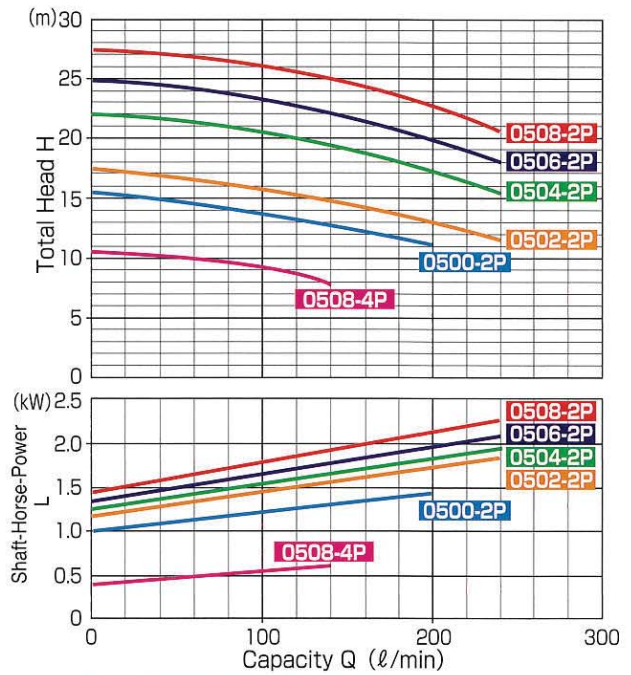
Pump Specifications

- Operating Temperature 0~80°C
- Rotation Direction Clockwise (view from the motor)
- Flange JIS 10K FF (Please consult us about ANSI/DIN standard.)
- Finish Paint Munsell 2.5B4/8(pump body)
- Motor TEXEL Flanged Induction motor / IEC Flanged Induction motor
- Accessories Foundation bolts (M12×160L×50b)

50Hz Capacity Range & Technical Data



60Hz Capacity Range & Technical Data



Model	Capacity (l/min)	Total Head (m)	NPSH Re (m)	Motor Output (kW)
MES-0501-2P	200	10	1.8	0.75~3.7
MES-0503-2P		13		
MES-0505-2P		15		
MES-0507-2P		18		
MES-0509-2P		20		
MES-0509-4P	100	6	1.0	0.4 · 0.75

Note : Only 0.4kW (4 pole) is provided for Texel Flanged Motor.

Model	Capacity (l/min)	Total Head (m)	NPSH Re (m)	Motor Output (kW)
MES-0500-2P	200	10	2.5	0.75~3.7
MES-0502-2P		13		
MES-0504-2P		15		
MES-0506-2P		18		
MES-0508-2P		20		
MES-0508-4P	100	9	1.5	0.75

Note : Only 0.4kW (4 pole) is provided for Texel Flanged Motor.

Pump Identification

MES - 050 0 F 01 A S F 4

① ② ③④ ⑤ ⑥ ⑦⑧⑨

- ① Model ② Suction Size
- ③ Model Number Please refer to Performance Curve
- ④ O-ring material
F : FPM E : EPDM Z : Other
- ⑤ Motor Output
00 : 0.4kW 01 : 0.75kW 02 : 1.5kW
03 : 2.2kW 05 : 3.7kW
- ⑥ Pump Body Material

Type	Tank	Casing	Impeller	Inner Magnet	Rear Casing
A			PP		C-PVDF
P			PVDF		
Z	Other Combinations or Special Option				

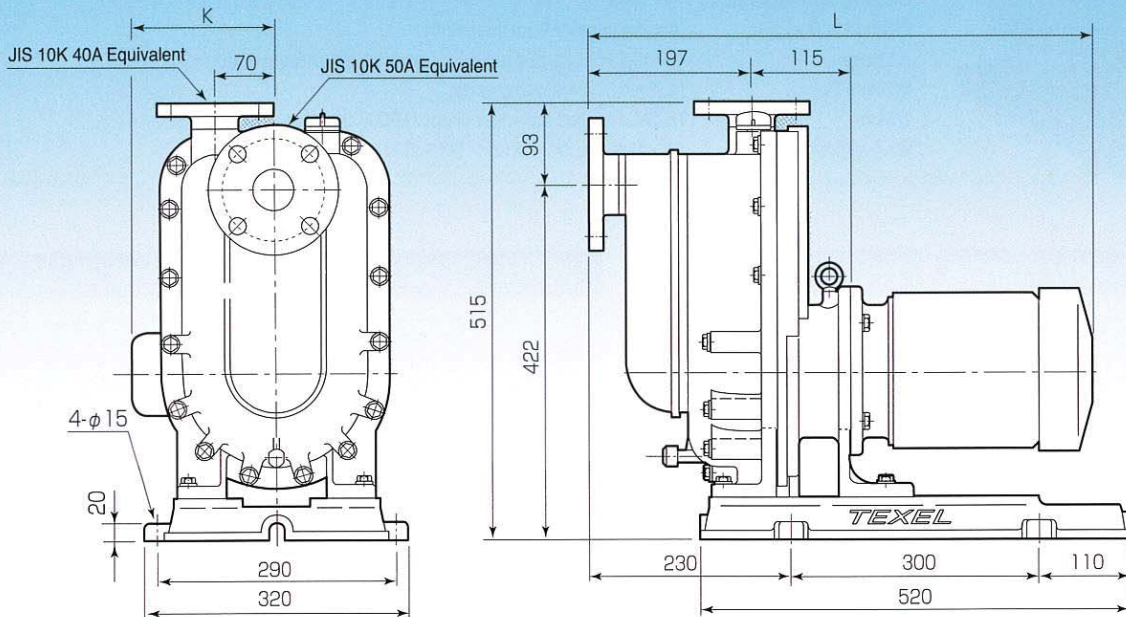
- ⑦ Motor Type
S:TEFC/outdoor Texel motor A:Safety-proof (eG3) Texel motor
T:IEC standard explosion-proof (d2G4) motor C : OtherParts

⑧ Material Combination

Type	Shaft	Front Thrust Ring	Rear Thrust Ring	Mouth Ring	Bearing
A		Al · Ceramic			C-PTFE
B			SiC		
C			SiC		Carbon
E			SiC		C-PTFE
F(Standard)		Al · Ceramic			Carbon
G		Al · Ceramic			G-PTFE
Z	Other Combinations or Special Option				

- ⑨ Number of Pole Shown only for 4-pole.

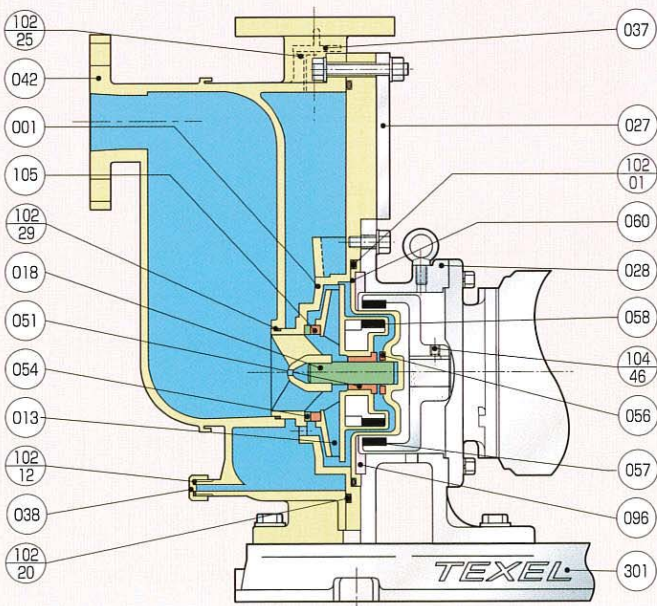
Dimensions



Motor Output (kW)	TEFC		eG3		Weight (kg)
	K	L	K	L	
0.4	147	541	150	550	(41)
0.75	161	559	169	559	
1.5	176	585	183	585	
2.2	176	605	205	616	

- Note : ① In indicates (shows) a numeral of parenthesis is reference value.
 ② Only the above dimensional is provided for TEFC(2 Pole).
 Please consult us when you use special motor (eG3, d2G4, etc).
 ③ Only the above dimensional is provided for Texel Moter.
 ④ Please consult us when you use 3.7kW IEC flanged moter.

Construction Diagram



No.	Part Name	Materials
001	Casing	PP / PVDF
013	Impeller	PP / PVDF
018	Shaft	Alumina-ceramic/SiC
027	Casing Support	FC200
028	Bracket	FC200
037	Air Vent Plug	PP / PVDF
038	Drain Plug	PP / PVDF
042	Tank	PP / PVDF
051	Bearing	C-PTFE / SiC / Cabon / G-PTFE
054	Front Thrust Ring	Alumina-ceramic / SiC
056	Rear Thrust Ring	Alumina-ceramic / SiC
057	Outer Magnet	Rare Earth
058	Inner Magnet	Rare Earth
060	Rear Casing	C-PVDF
096	Bracket Ring	SS400
102-01	O-ring(Casing)	FPM / EPDM
102-12	O-ring(Drain Plug)	FPM / EPDM
102-20	O-ring(Tank)	FPM / EPDM
102-25	O-ring(Air Vent Plug)	FPM / EPDM
102-29	O-ring(Suction Flange)	FPM / EPDM
104-46	Outer magnet set screw	SNCM
105	Mouth Ring	C-PTFE / SiC / Cabon / G-PTFE
301	Base	FC200

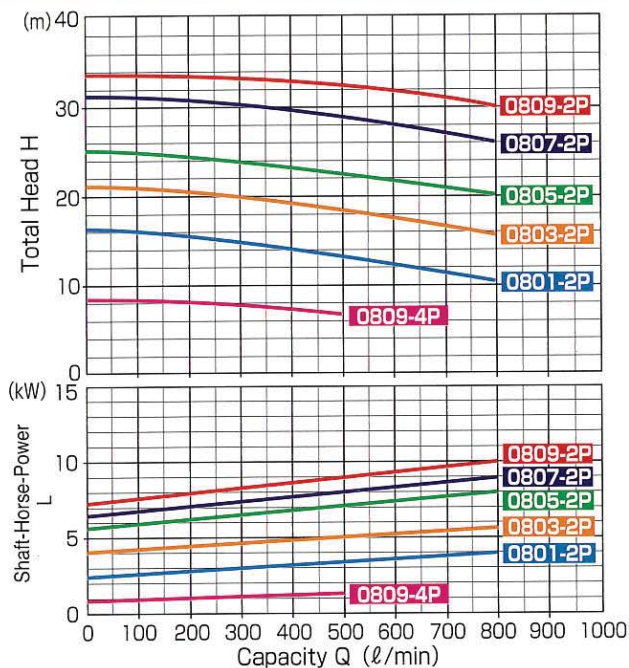
MES-080 Series (Suction 80A × Discharge 80A)



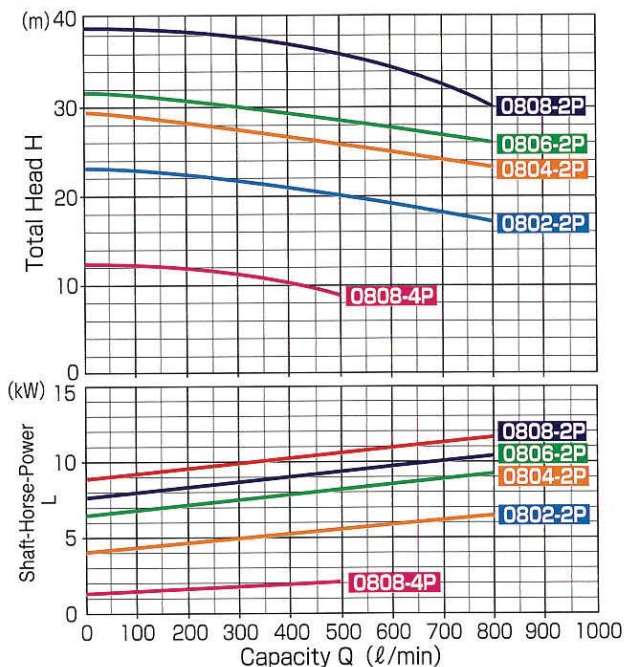
Pump Specifications

- Operating Temperature 0~80°C
- Rotation Direction Clockwise (view from the motor)
- Flange JIS 10K FF (Please consult us about ANSI/DIN standard.)
- Finish Paint Munsell 2.5B4/8(pump body)
- Motor TEXEL Flanged Induction motor / IEC Flanged Induction motor
- Accessories Foundation bolts (M12×160L×50b)

50Hz Capacity Range & Technical Data



60Hz Capacity Range & Technical Data



Model	Capacity (ℓ/min)	Total Head (m)	NPSH Re (m)	Motor Output (kW)
MES-0801-2P	800	10	5.0	1.5~18.5
MES-0803-2P		15		
MES-0805-2P		20		
MES-0807-2P		25		
MES-0809-2P		30		
MES-0809-4P	400	7.5	5.0	1.5~3.7

Model	Capacity (ℓ/min)	Total Head (m)	NPSH Re (m)	Motor Output (kW)
MES-0802-2P	800	17	6.5	1.5~18.5
MES-0804-2P		20		
MES-0806-2P		25		
MES-0808-2P		30		
MES-0808-4P	400	10	6.0	1.5~3.7

Pump Identification

MES - 080 1 E 07 A C A 4

① ② ③ ④ ⑤ ⑥ ⑦ ⑧ ⑨

① Model ② Suction Size

③ Model Number Please refer to Performance Curve

④ O-ring material

F : FPM E : EPDM Z : Other

⑤ Motor Output

02 : 1.5kW 03 : 2.2kW 05 : 3.7kW 07 : 5.5kW

10 : 7.5kW 15 : 11kW 20 : 15kW 25 : 18.5kW

⑥ Pump Body Material

Type	Casing/Tank	Shaft Support/Drain	Impeller+Inner Magnet	Rear Casing
A	G-Epoxy	PP	PFA	PFA + Eng.Plastic
C	C-Epoxy			
P	G-Epoxy	PVDF		
Z	Other Combinations or Special Option			

⑦ Motor Type

C:TEFC/outdoor Texel motor D:Safety-proof (eG3) Texel motor

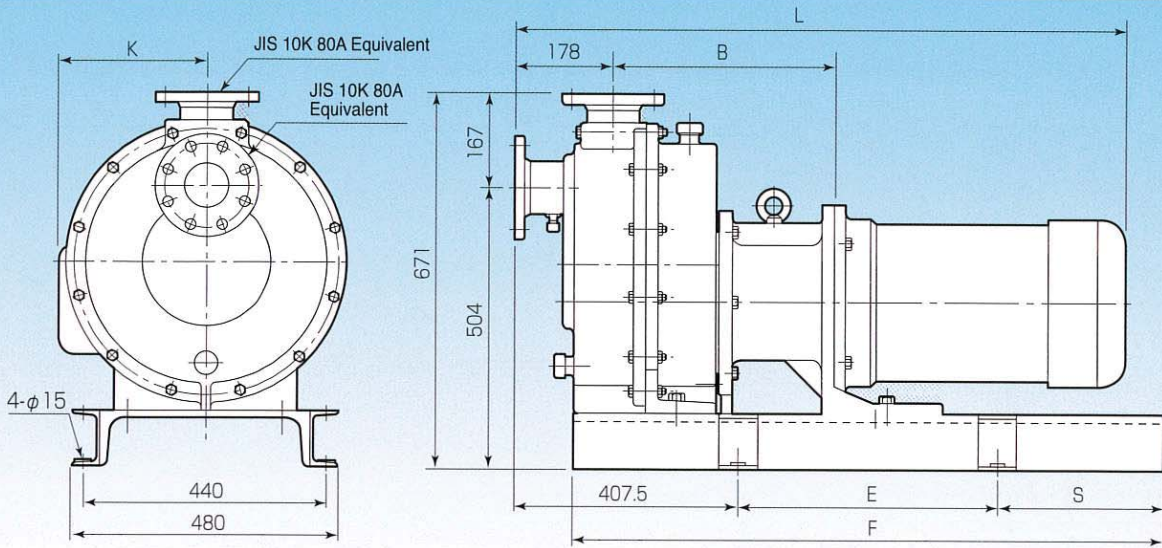
T:IEC standard explosion-proof (d2G4) motor

⑧ Material Combination

Type	Shaft	Front Thrust Ring	Rear Thrust Ring	Mouth Ring	Bearing
A(Standard)		Al • Ceramic			C-PTFE(W)
B			SiC		
E		SiC			C-PTFE(W)
F		Al • Ceramic			Carbon
G		Al • Ceramic			G-PTFE(LD)
Z	Other Combinations or Special Option				

⑨ Number of Pole Shown only for 4-pole.

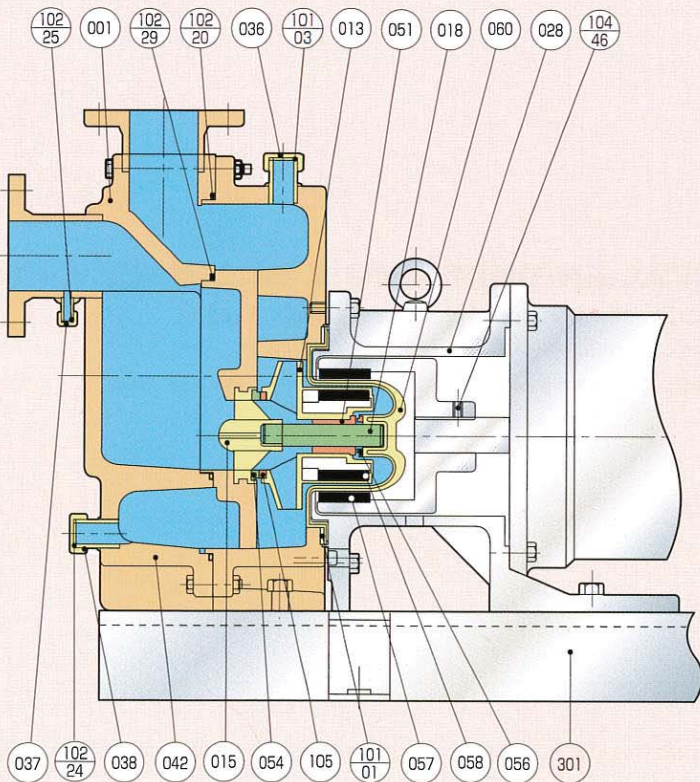
Dimensions



Motor Output (kW)	B	K	L	E	F	S	Weight (kg)
1.5 / 2.2	343	—	(810)	300	800	200	(135)
3.7	353	—	(845)				(137)
5.5 / 7.5	373	—	(952)	470	1070	300	(158)
11 / 15 / 18.5	403	(265)	(1110)				(166)

Note :
 ① In indicates (shows) a numeral of parenthesis is reference value.
 ② Only the above dimensional is provided for TEFC(2 Pole). Please consult us when you use special motor (eG3, d2G4, etc).
 ③ Only the above dimensional is provided for Texel Moter.

Construction Diagram



No.	Part Name	Materials
001	Casing	FRP
013	Impeller	PFA
015	Shaft Support	PP / PVDF
018	Shaft	Alumina-ceramic / SiC
028	Bracket	FC200
036	Priming Plug	HT.PVC
037	Air Vent Plug	PP / PVDF
038	Drain Plug	HT.PVC
042	Tank	FRP
051	Bearing	C-PTFE / SiC / Cabon / G-PTFE
054	Front Thrust Ring	Alumina-ceramic / SiC
056	Rear Thrust Ring	Alumina-ceramic / SiC
057	Outer Magnet	Neodymium Magnet
058	Inner Magnet	Neodymium Magnet
060	Rear Casing	PFA
105	Mouth Ring	C-PTFE / SiC / Cabon / G-PTFE
101-01	Casing Gasket	PTFE
101-03	Priming Gasket	FPM / EPDM
101-05	Drain Gasket	FPM / EPDM
102-20	O-ring(Tank)	FPM / EPDM
102-24	O-ring(Drain)	FPM / EPDM
102-25	O-ring(Air Vent Plug)	FPM / EPDM
102-29	O-ring(Suction)	FPM / EPDM
104-46	Outer Magnet Set Bolt	SNCM
301	Base	FC200