

PRODUCT GUIDE

Rubber-Lining Slurry Pump

CROVER PUMP

High sealing performance and maintainability

Contribution to reducing environmental burdens and CO₂ emissions



Since 1954

 **MITSUWA PUMP CO.,LTD.**

CROVER PUMP

COR

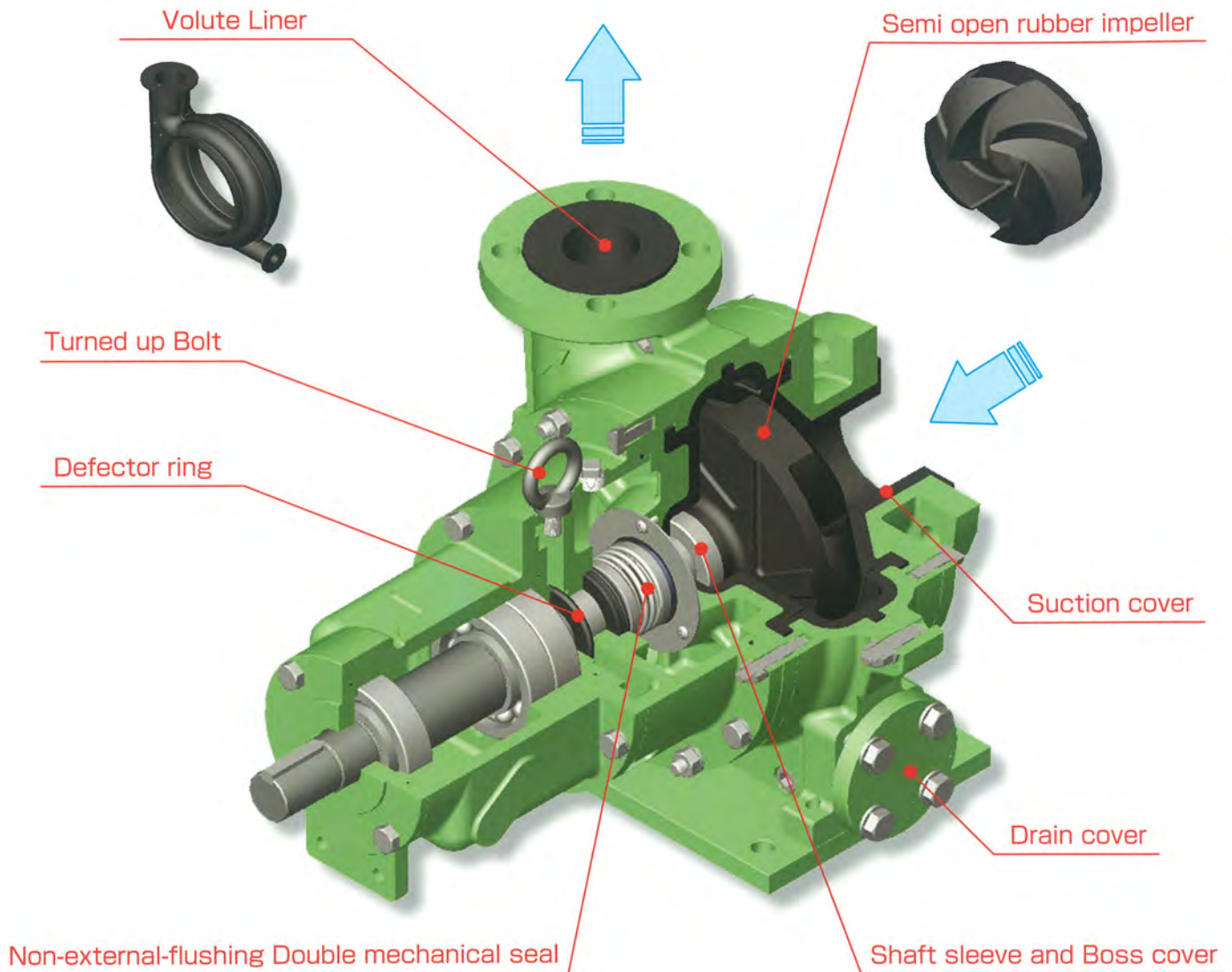
CROSS OVER PUMP

series

Centri-Fugal Rubber Pump

Rubber Lining Slurry Pump

Has achieved high wear and corrosion resistance!



Major applications

- For draining water
- For pumping out liquid from flue gas desulfurizers and scrubbers and circulating it through the equipment
- For pumping out slurry such as abrasive and raw material for ceramic
- For pumping out chemical slurry
- For pumping out water that contains a high concentration of salt such as seawater

Features



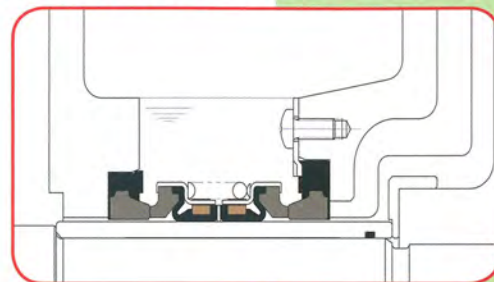
- **Combination of rubber and metal linings on the wetted surface of the pump.**

- Wear- and corrosion-resistant rubber lining ideal for pumping out various kinds of liquid
- High durability owing to a cylindrical one-piece volute liner
- Suction and casing covers lined with rubber and metal



- **The pump comes equipped with a non-external-flushing double mechanical seal (oil-sealed) as standard.**

- The use of a double mechanical seal on the shaft seal, which is the main part of the centrifugal pump, prevents liquid leaks from the shaft seal.
- In principle, no water needs to be injected into the shaft seal, resulting in reduced running costs and no extra wastewater.



*When the water temperature is higher than 70°C or the slurry particle size is less than 10 μ m, we recommend external flushing. In this case, please contact us.



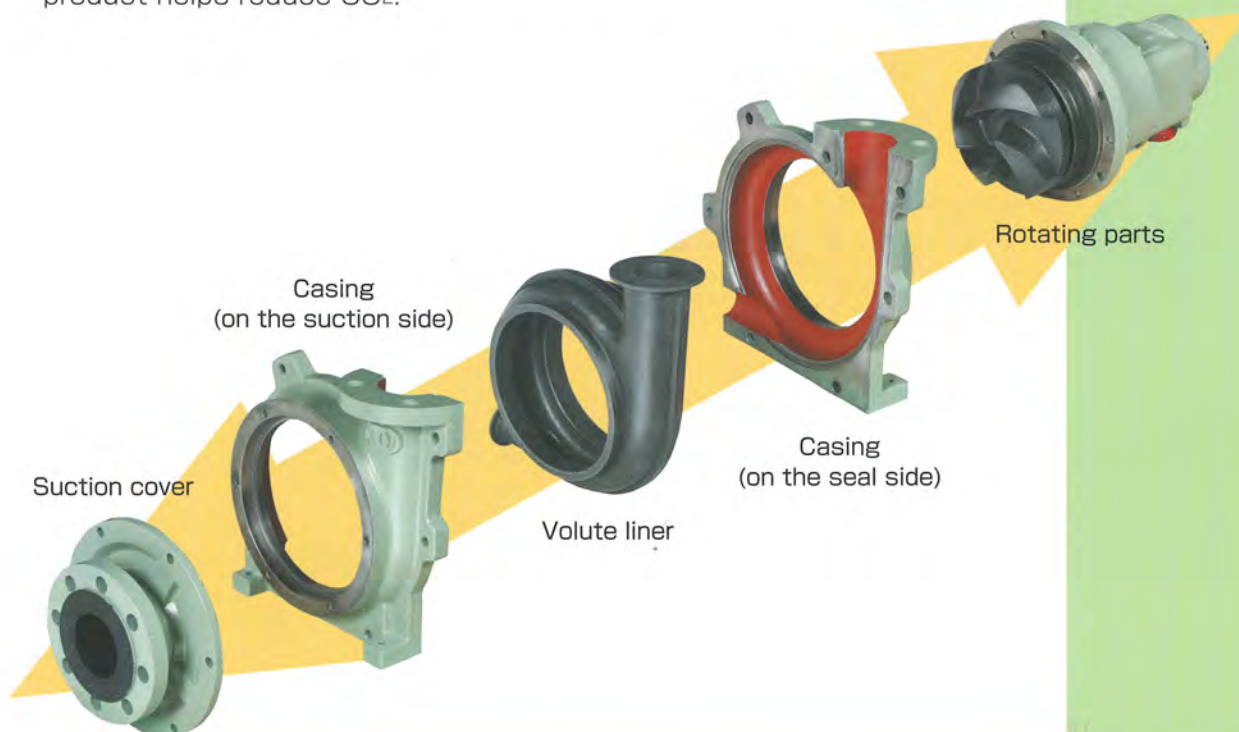
- **Good maintainability owing to the use of the back pullout system.**

Rotating parts (such as a mechanical seal and an impeller) can be replaced without removing the pipes.
Also, the double mechanical seal can be assembled with ease.



- **Slurry pump that has achieved high efficiency.**

Although this product is a type of slurry pump, it has achieved a maximum efficiency of 50% owing to the excellent combination of a semi-open impeller and a volute liner. Also, the product helps reduce CO₂.



Model code

2

COR

-

N

S

B

Delivery bore

Pump series

material of rubber parts for mechanical seal

- [B = nitrile butadiene rubber (NBR)
- [F = FKM

material of Sleeve

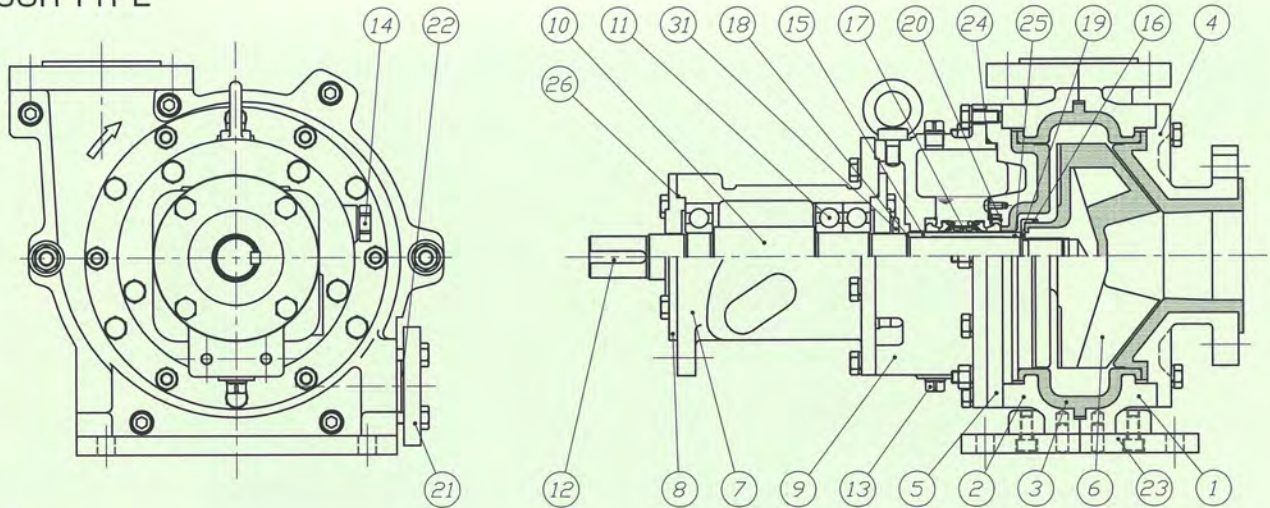
- [S = SUS316
- [H = hastelloy C276

N=Material Rubber

- [N = natural rubber (NR)
- [B = nitrile butadiene rubber (NBR)
- [I = Isobutylene-isoprene rubber (IIR)

Cross section

2COR TYPE



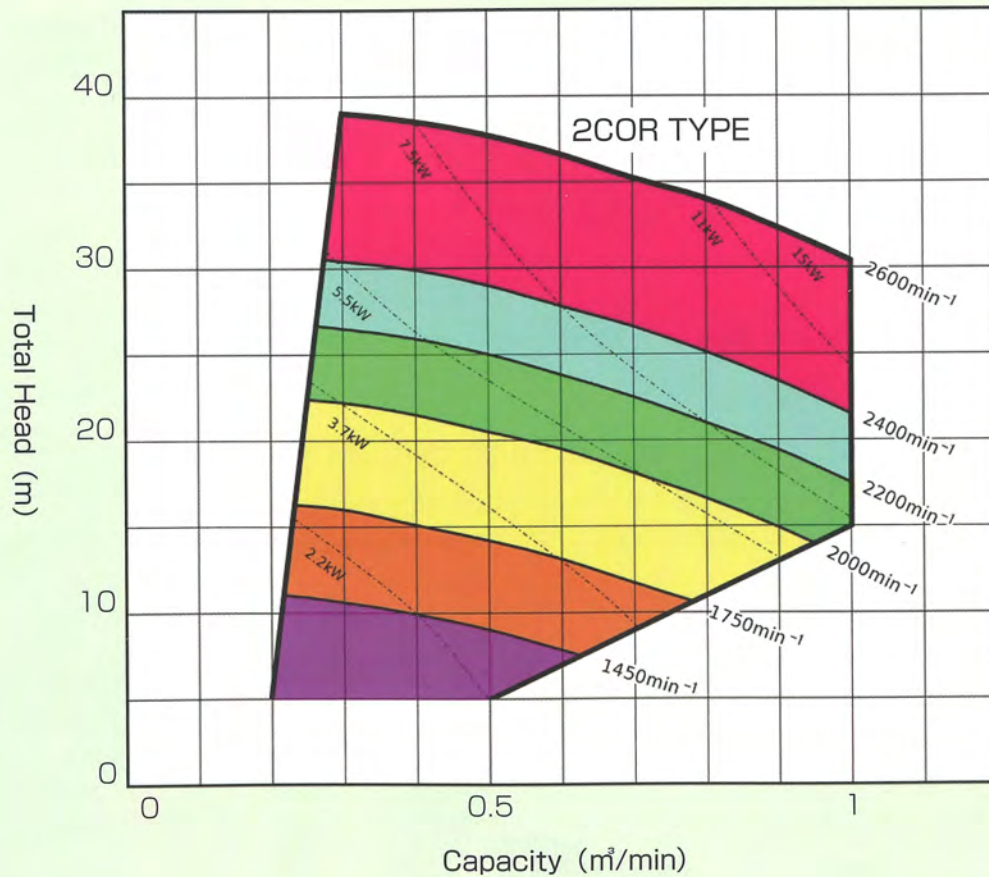
No.	Article	Qty.	No.	Article	Qty.	No.	Article	Qty.
1	Casing(on the suction side)	1	12	Key	1	23	Base plate	1
2	Casing(on the seal side)	1	13	Oil feed/drain plug	2	24	O ring	1
3	Volute liner	1	14	Sight glass	1	25	O ring	1
4	Suction cover	1	15	Shaft sleeve	1	26	O ring	2
5	Casing cover	1	16	Boss cover	1	27		
6	Impeller	1	17	Double mechanical seal	1	28		
7	Bearing case	1	18	Seal washer	1	29		
8	Bearing case cover	2	19	Seal washer	1	30		
9	Sear case	1	20	Seal washer	1	31	Deflector ring	1
10	Shaft	1	21	Drain cover	1	32		
11	Ball bearing	3	22	Drain cover gasket	1	33		

Standard Specification

Model	centrifugal slurry pump	
Bore (mm)	80	× 50
Capacity (m ³ /min)	0.2	~ 1.0
Total Head (m)	5	~ 40
Flange	JIS 10kg/cm ²	
Construction	Impeller	Semi open
	Gland	Double mechanical seal
	Seal	oil (non-flushing water)
	Bearing	shield type radial ball bearing
Driven	V belt	
Setting	Indoor / outdoor	

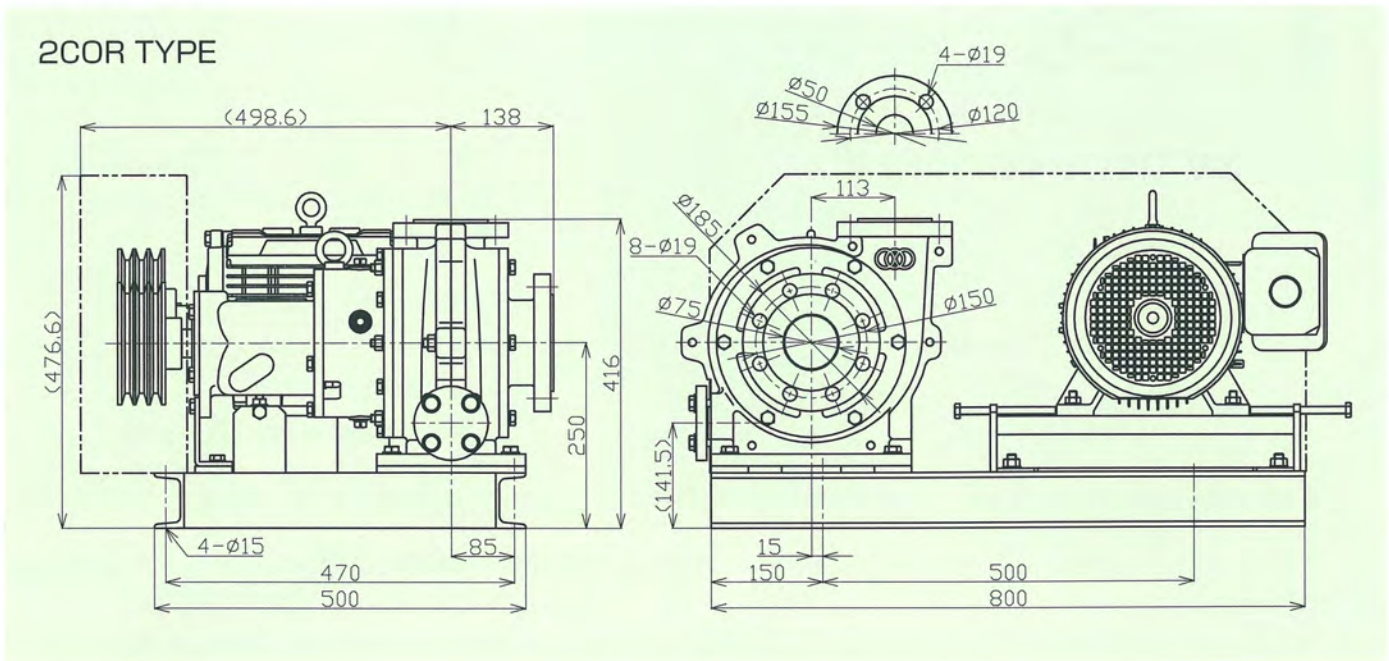
Material	Volute liner	Rubber (NR/NBR/IIR)
	Suction cover	FC+Rubber Lining (NR/NBR/IIR)
	Casing cover	FC+Rubber Lining (NR/NBR/IIR)
	Impeller	AC+Rubber Lining (NR/NBR/IIR)
	Shaft	SUS420J2
	Sleeve	SUS316 / hastelloy C276
	Mechanical seal	SiC×SiC (NBR / FKM)
Standard Accessory		Base · Belt cover V pulley · V Belt
Electric	Phase	Three phase
	Volt	200V / 400V / 380V

Selection chart



Bore mm	Speed rpm min ⁻¹	motor kW	Capacity m ³ /min	Total Head m	Capacity m ³ /min	Total Head m
80×50	1450	2.2 ~ 3.7	0.25	10	0.5	9
80×50	1750	3.7 ~ 5.5	0.3	16	0.6	13
80×50	2000	5.5 ~ 7.5	0.35	22	0.7	18
80×50	2200	7.5 ~ 11	0.4	25	0.8	21
80×50	2400	7.5 ~ 11	0.4	29	0.8	25
80×50	2600	11 ~ 15	0.4	38	0.8	34

■ Out of Views ■



【About Weight】 (kg)

Power Type	2.2kW-4P	3.7kW-4P	5.5kW-4P	7.5kW-4P	11kW-4P	15kW-4P
2COR	165	170	185	190	220	240



*Contents in this catalogue are subject to change without notice

MITSUBA PUMP CO.,LTD.

3617 Shinkurahara, Ooaza-Yamada, Touincho, Mie-Prefecture, Japan;511-0251
TEL 0594-76-1100 FAX 0594-76-1101

URL <http://www.mitsuwapump.jp/> E-mail m-k@mitsuwapump.jp